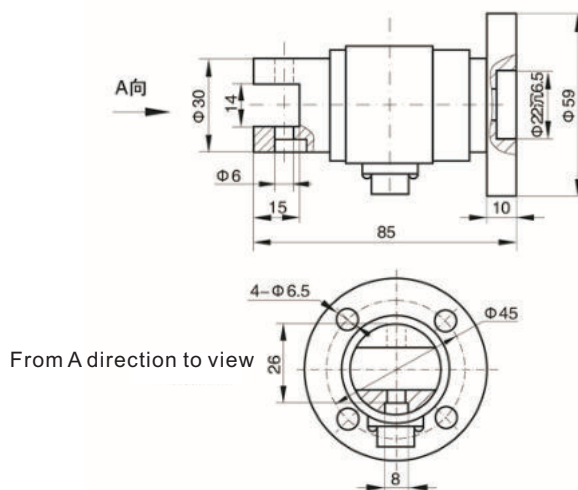


Static Torque Sensor



GTS302



FEATURES

Applicable to measure and control of the static, non-continuous rotation torque force value

APPLICATION

It is mainly used for testing system of testing machine and static torque test. Generally for testing the slow motion of torque, such as: Test manual torque wrench, transmission static load torque, etc., It is the basis of inspection and assembly quality in quality inspection department.

SPECIFICATIONS

Parameters:	
Torque range: 1~200 (N.m)	Output resistance: 700±5Ω
Comprehensive error: 0.1~0.5%F.S	Insulation resistance: >5000MΩ
Rated output: 1.0~1.5mV/V	Safe overload: 150%F.S
Creep: ±0.1~±0.3%F.S/30min	Excitation voltage: 10VDC
Zero output: ±1%F.S	Material: alloy steel
Temp. effect on zero: ±0.1~±0.3%F.S/10℃	Wiring connection: Input +: red
Temp. effect on span: ±0.1~±0.3%F.S/10℃	Input -: black
Use temp. Range: -20℃~+65℃	Output +: green
Input resistance: 750±30Ω	Output -: white